

KmN.8s

Its modular conception makes it easily adaptable.



SPECIFICATIONS

Rotary head and chuck	
Holding capacity	28 000 lb (12 700 kg)
Spindle interior dimension	4.9" (124 mm) PWL Rod
Chuck operation	Spring closed and hydraulically opened
Final drive	HV 60-2 chain in an oil bath
Hydraulic Motor	80 cc variable
Transmission	HI-LO 2-speed mechanic
Rotary Head Ratio	1:2
Lubrication	Pump pressurized, filter and cooler
Speed	0 to 1 300 RPM

FEATURES AND BENEFITS

- Surface version (also available in underground version)
- Heliportable
- Made of steel (aluminum in option)
- Depth capacity:
800 m (2 625 ft) N size
- Total weight:
2 501.27 lb (10,660 kg)

Filtration

10 micron absolute filter on return line (2)
High pressure filter (2)
One strainer inside the hydraulic tank connected to the suction (2)

Hydraulic module

Floating rotary head - Torque limit on rotary head	
Hydraulic pumps (2)	188 l/min (47 US gal/min) @ 1 800 RPM (max. 4 000 psi (275 bar))
	136 l/min (36 US gal/min) @ 1 800 RPM (max. 4 000 psi (275 bar))
	Open loop, Load-sensing circuit
Hydraulic pressurized tank	55 US gal (208 l)
Oil heat exchanger	Water cooling (Air cooler optional)

Weight

Diesel power unit	1 400 lb (635 kg)
Hydraulic pump and tank	1 550 lb (703 kg) wet
Control panel	672 lb (305 kg)
Drill head	628 lb (285 kg)
Drill head hydraulic motor	70 lb (32 kg)
Drill head transmission	85 lb (39 kg)
Rod holder	254 lb (115 kg)
Feed frame assy (extension and pulley included)	254 lb (115 kg) 1 545 lb (700 kg)
Mast base	500 lb (227 kg)
Wireline	460 lb (208 kg)
Hydraulic hoses	1 000 lb (454 kg)

Drilling capacity

*Dimension recommended for maximum performance	*B 2 3/16" (55,6 mm)	3 600 ft (1100 m)
	*N 2 3/4" (69,9 mm)	2 625 ft (800 m)
	*H 3 1/2" (88,9 mm)	1 310 ft (400 m)
	P 4 5/8" (117,5 mm)	820 ft (250 m)

Drilling capacity is calculated on a 90 degree down hole and will depend on in-hole tools, ground conditions, drilling techniques and equipment used.

Drilling capacity

Recommended diesel engine	155 HP (112 Kw) at 2 100 RPM
Recommended electric motor	100 HP (75 kW) at 1,800 RPM

Feed frame

Head stroke	6 in (1,83 m)
Raising speed	200 ft/min (61 m/min)
Lowering speed	200 ft/min (61 m/min)
Pull capacity	28 000 lb (12 700 kg) @ 4 000 psi
Push capacity	18 000 lb (8 165 kg) @ 4 000 psi
Possible angle	-8 to -90 degrees

Surface mast

Pull speed	220 ft/min (67 m/min)
Speed of descent	370 ft/min (113 m/min)
Single line pull capacity	10 000 lb (4 500 kg) @ 4 000 psi
Rod pull length	20 ft (6 m)

2-Speed transmission

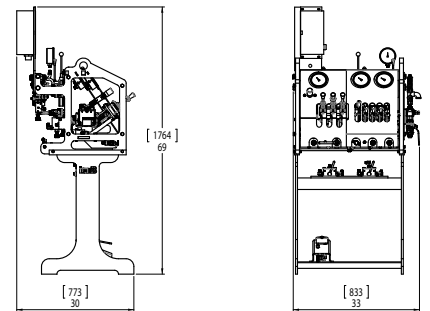
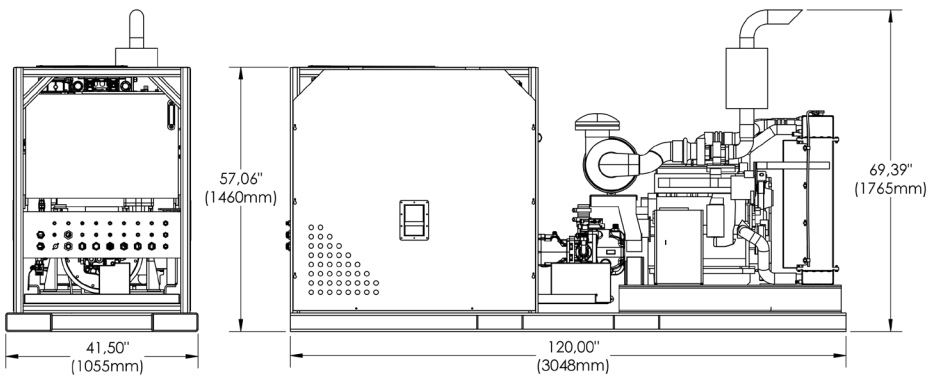
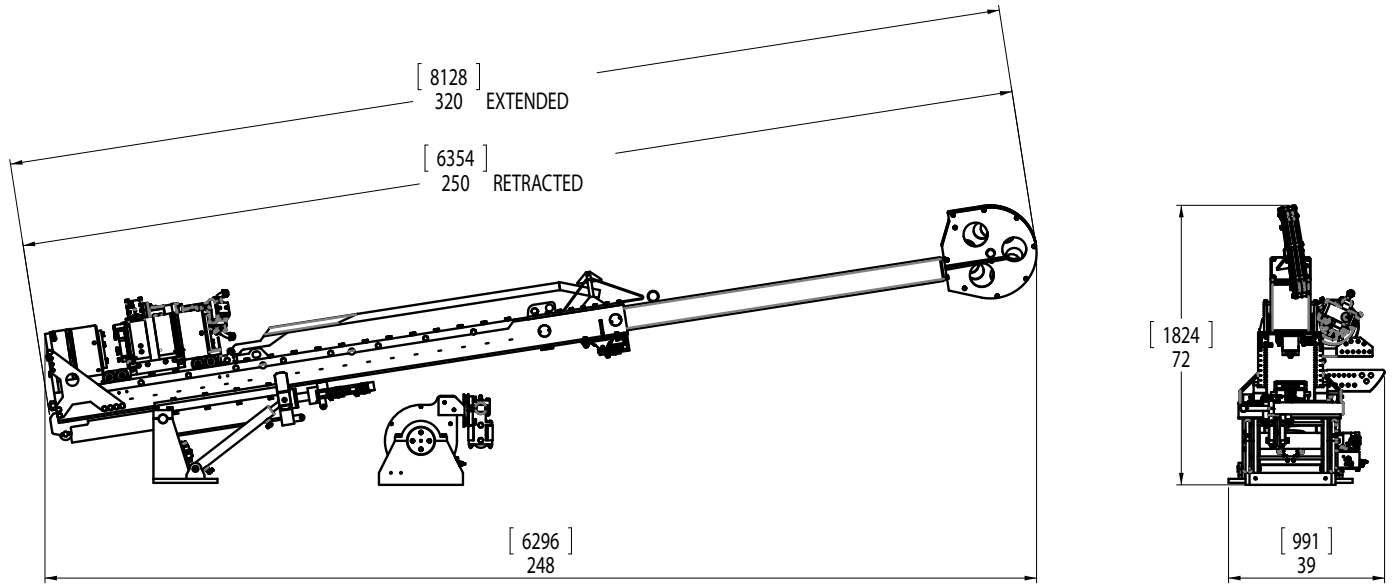
Speed	Ratio	RPM	Maximum Torque
LO	3.46:1	0-361	2 098 lb*ft (2 840 N*m) @ 361 RPM
HI	1:1	0-1 300	606 lb*ft (820 N*m) @ 1 300 RPM

Speed and torque based on a 80 cc hydraulic motor at 4 000 psi (275 bar)

Wireline hoist

Cable capacity (3/16 in - 4.8 mm)	3 000 ft (915 m)
Empty Pull capacity	2 000 lb (907 kg)
Full Pull capacity	650 lb (295 kg)
Variable speed as needed	

DIMENSIONS



STRONGER AND STRONGER

Distributor:



110, rue Jacques-Bibeau, Rouyn-Noranda (Québec) J9Y 0A3, Canada

1 819 762-9645 info@mbiglobal.com